

# BESCOPAC®

## Concrete Products Machine

The Bescopac® is a concrete products machine that produces 3 or 4 8" units (200 mm) at-a-time.



A Bescopac can produce architectural, hardscape and standard concrete masonry products in a wide variety of styles and colors.

**BESSER**  
Trusted Since 1904

# VERSATILE AND EASY TO MAINTAIN

**Quality.** Quality is the hallmark of Besser machinery. Highly skilled staff follow the stringent Besser Quality System during the design, manufacture, assembly and testing of the equipment. All Besser equipment is manufactured with precision machinery, insuring consistent quality every time. This attention to detail translates into concrete products machines that produce the world's most dimensionally precise, aesthetically pleasing concrete masonry units.

**Versatility.** The versatility of the Bescopac makes it a great utility machine. It will back up another concrete products machine in times of peak demand and then can be changed to produce specialty products. The Bescopac is engineered for fast and simple mold changes.

The machine needs little regulation in normal use and is easy to set-up and adjust for frequently changing production jobs.

## Easy Maintenance.

The design of the Bescopac hydraulic system simplifies routine maintenance. Valves and other hydraulic components are mounted outside of the concrete products machine for immediate access. Solenoid valves on the Bescopac's are spring centered so movements stop when the machine cycle switch is in the manual or off position.



*The pallet scraper is mounted on the pallet indexer*

## STANDARD FEATURES

### Warner Brake

A fail-safe feature engages the brake in the event of a power failure. The brake is totally enclosed to remain protected from the plant environment which results in less maintenance and greater life expectancy.

### Pallet Scraper

Material build-up on pallets is automatically removed during each machine cycle by the pallet scraper. The tension forcing the scraper blade down on the pallet is fully adjustable to meet specific cleaning needs. Mounted on the pallet indexer, the pallet scraper is readily accessible for routine maintenance.

### Mold Locks

After the mold is placed into the concrete products machine, the mold is manually locked in place.

## SPECIFICATIONS

### Production Rates

- Machine Cycle Time (in seconds): 7.0
- Forming Time (feed, finish and delay - in seconds): 3.0
- Total Cycle Time (in seconds): 10.0
- Cycles Per Minute: up to 6
- Concrete Masonry Units (8" equivalents per minute): 18/24
- Concrete Masonry Units (8" equivalents per hour): 1080/1440

Note: Optimum production rates depend upon many variables. Actual production may vary from this example.

### Vibration

- Posapac Vibration (Warner or Bescostop brakes): requires two 10 hp (7.5 kW) motors

### Hydraulic Pump Size

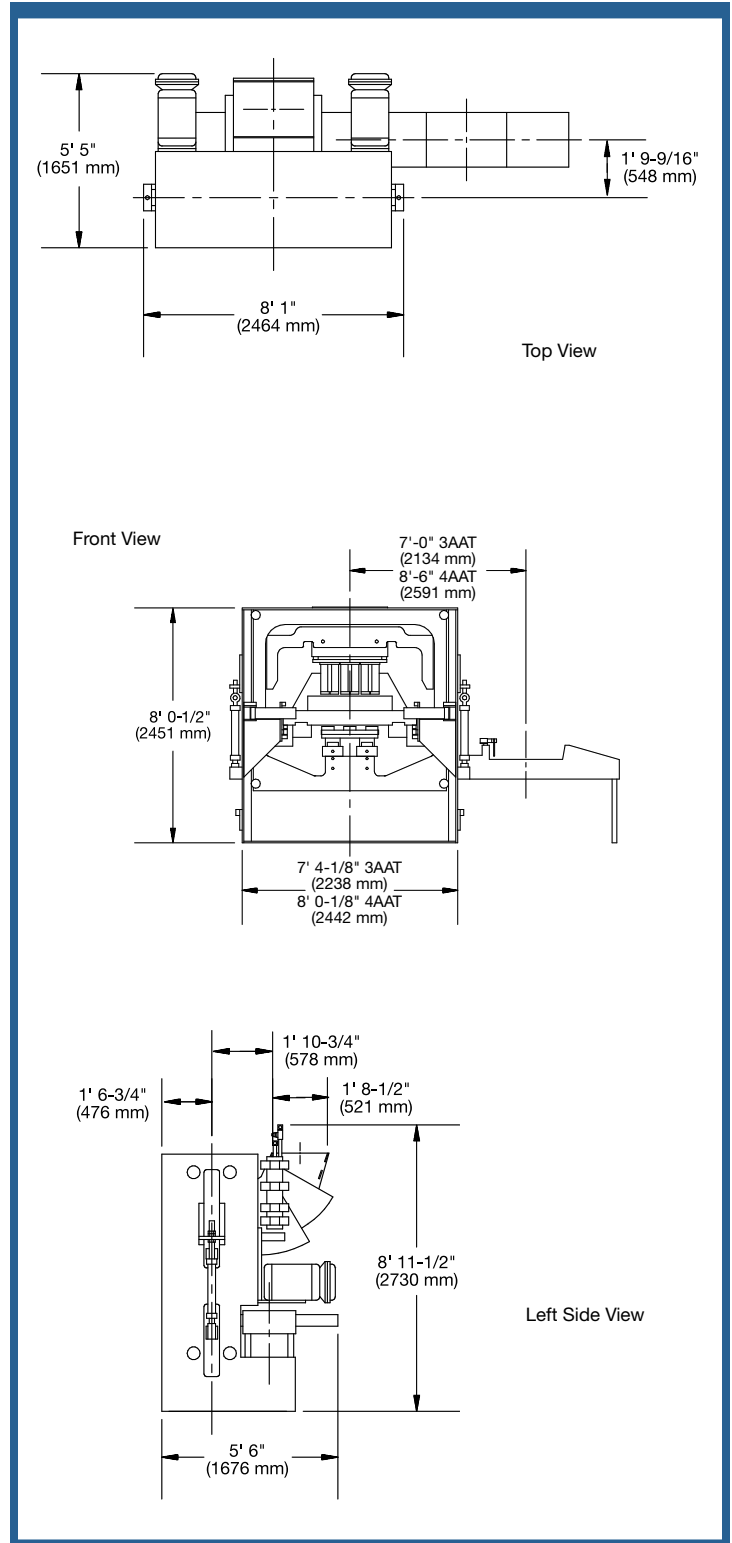
- 35 gallons (132 liters) per minute / 25 hp (18.6 kW) motor

### Dimensions/Weight

- Width: 7' 4-1/8" (2238 mm)
- Height: 8' 0-1/2" (2451 mm)
- Length: 5' 6" (1676 mm)
- Weight: 15,500 lbs (6975 kg)
- Block Delivery Height: 33-9/16" (852 mm)
- Pallet Size: 34.5" x 18.5" x 5/16" (876 mm x 470 mm x 8 mm (other pallet sizes available)
- Product Height: 2-3/8" (60 mm) high – 9-5/8" (250 mm) high

### Voltages

- Control Circuit: 110-115 V., single phase, 60 Hertz
- Motors: 230/460 V., 3 phase, 60 Hertz (other voltages available)



## OPTIONAL ENHANCEMENTS

### Allen-Bradley SLC500™ Control Panel with Color Graphics Display

Many of the operating functions of the Bescopac can be easily adjusted by accessing the SLC500 through the color graphics display unit. This control panel: 1) automatically pinpoints problems and displays information for making corrections fast, and 2) improves quality control. The state-of-the-art color graphics display swivels on a floor-mounted pedestal providing easy access for the machine operator. This solid state unit provides push-button command of the sequencing, interlocking and status monitoring functions. This device also provides the capability of storing and retrieving preset information based on product number. No computer expertise is needed to operate the graphics display unit. Plant personnel can program new set-ups with just a basic knowledge of the same logic diagrams used with relay controls.

### Bescostop™ Oil Shear Brake System

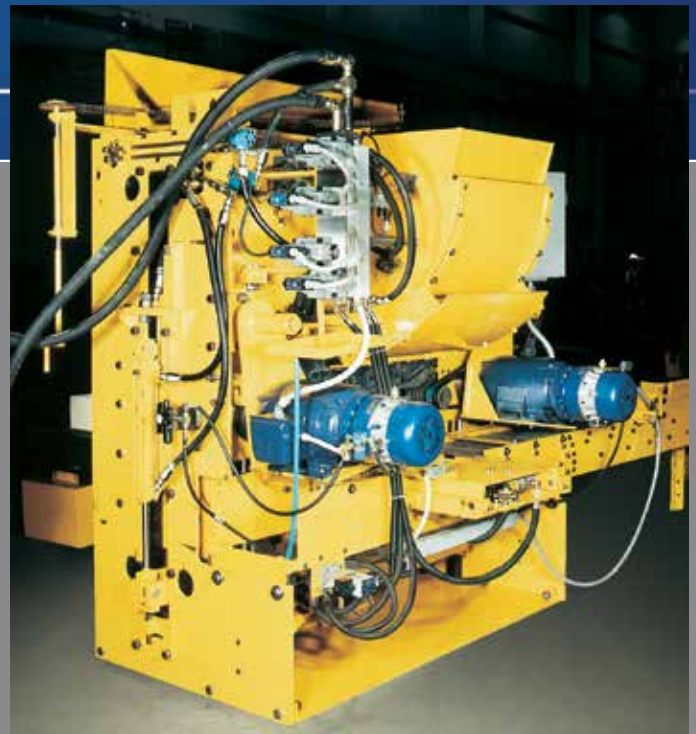
A Bescostop oil shear brake system is used on the vibrators to provide quick, smooth starts and stops.

### Core Puller

The use of a core puller expands the variety of concrete products that can be produced on a concrete products machine. Many of the complex concrete masonry unit designs which are popular today feature horizontal openings that have been formed by a core puller. The horizontal openings can be in various shapes. The number of shapes that can be made with the core puller are virtually limitless.

Products made possible by using a core puller:

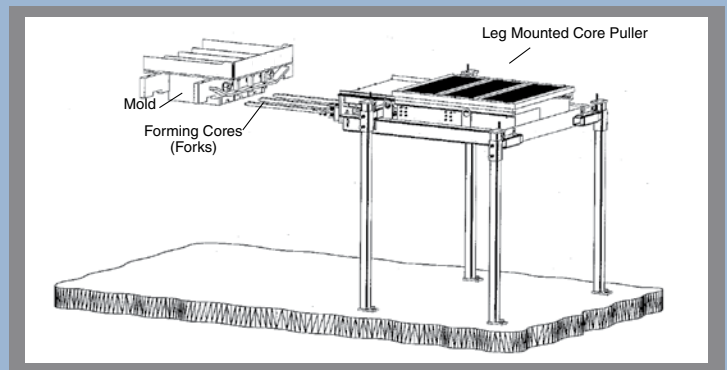
- Cored brick, fabricated on edge with a wormed face, bark face or thumbprint face
- Any type of concrete unit with fake mortar grooves
- Various retaining wall units with bottom key
- Protrusion in water and erosion control block



Valves are conveniently located for adjustment and maintenance. Vibrator motors are shown with optional Bescostop brakes.

A core puller is a concrete products machine attachment. It is comprised of a drawer which is activated by either hydraulic or pneumatic cylinders to which the tools (forming core or "forks") required to form the horizontal cores are attached. The forming forks are usually mounted on spring or rubber pads in order to minimize transmission of vibration to the core puller mechanism.

A core puller is installed in front of the mold on the concrete products machine, above the front delivery conveyor (green block conveyor). It can be wheel-mounted or leg-mounted.



801 Johnson Street  
Alpena, Michigan 49707 USA  
+1.989.354.4111 sales@besser.com  
besser.com

*For better viewing, all guards, safety devices and signs are not necessarily shown. Some of the equipment shown or described throughout this brochure is available at extra cost. Since the time of printing, some of the information in this brochure may have been updated; ask your Besser sales representative for details.*