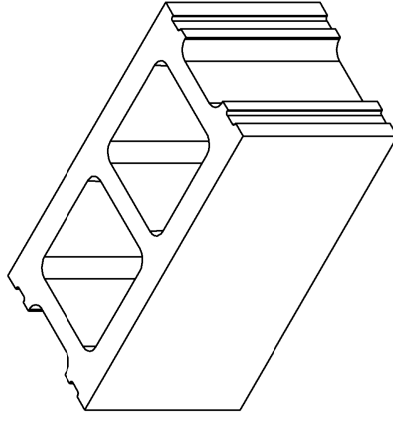
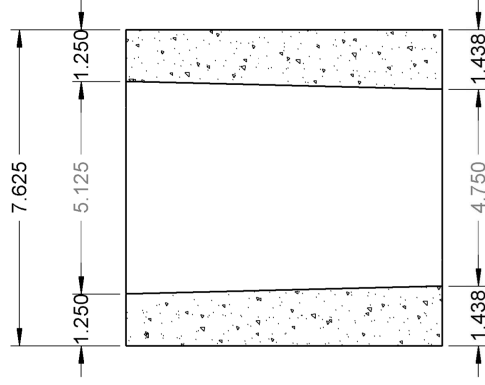
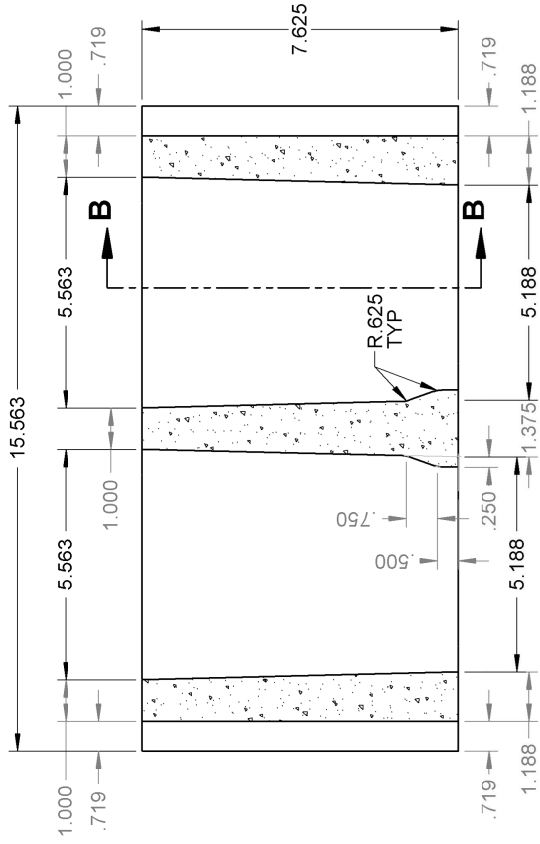
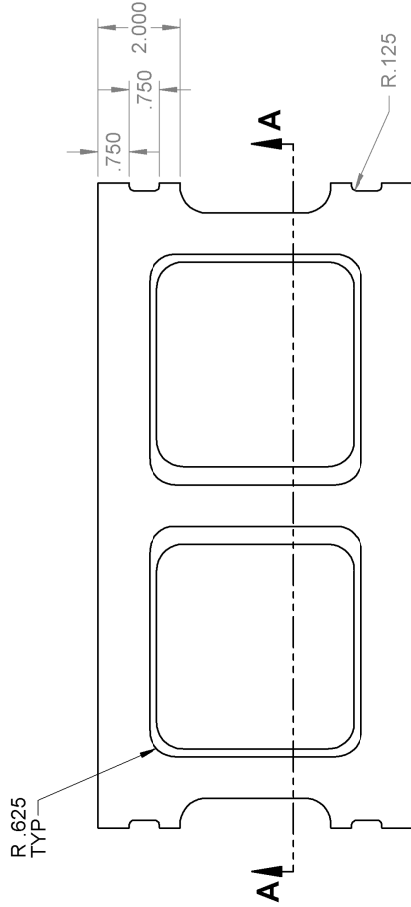


UNIT CALCULATIONS (FOR REFERENCE ONLY)	
47.96 % SOLID (TOP)	
51.27 % SOLID (MIDDLE)	
26.96 Lbs. LIGHT WEIGHT CONCRETE (100 lb/ft <sup>3</sup> )	
36.93 Lbs. NORMAL WEIGHT CONCRETE (137 lb/ft <sup>3</sup> )	
3.66 E.T.I. TOP	
3.91 E.T.I. MIDDLE	
465.85 in <sup>3</sup> NET VOLUME	



APPROUVÉ PAR: \_\_\_\_\_  
APPROVED BY:



SECTION B-B

SECTION A-A

SIMILAR TO:

ALL INFORMATION CONTAINED IN THIS DRAWING IS THE SOLE PROPERTY OF THE BESSER COMPANY. REPRODUCTION IN PART OR WHOLE WITHOUT WRITTEN PERMISSION FROM BESSER IS PROHIBITED.

MODEL NO.:	NEXT ASSY.:	DRAWING LEVEL:
HEAT TREAT CODE:	SURFACE COAT CODE:	WEIGHT: 37.268 LBS.
DECIMAL: XXXX = ±.0005° XXXX = ±.005°	TOLERANCE UNLESS OTHERWISE SPECIFIED: .XX" = ±.06° .X" = ±.1° ANGULAR ±1°	NAME: FCW DATE: 29-DE-94
FRACTIONAL: ±1/16" HOLE LAYOUT ±.132"	CHKD:	APPD:
SCALE: 1:3	DO NOT SCALE	

REVISIONS	DESCRIPTION	DATE	CDP	PAR/ BY
D. REV.	REDRAWN IN SOLIDWORKS	03-Jun-15		

COMMENTS:

CONCRETE UNIT - OEBE/HHCTO  
7-5/8"W X 7-5/8"H X 15-5/8"L UNIT  
1-1/4" STRAIGHT SHELL - 1" TIE

SIZE DWG. NO. **B** 251205 SHEET 1 OF 1 REV. **D**

